



DATA SHEET

4K Starlight
Omni View
Network Camera

ASK-180B-IR



KEY FEATURES



OPTICS

- Fifth-generation infrared technology, up to 50m (164ft) IR distance
- Starlight illumination
- IR anti-reflection window to increase the infrared transmittance
- Smart IR
- 2D/3D DNR (Digital Noise Reduction)
- 120dB true WDR
- Support a horizontal viewing angle of 180°



COMPRESSION

- H.265, H.264, MJPEG
- Triple streams
- Customized OSD
- 4096×1800@30fps supported
- Intelligent temperature control technology
- Wide temperature range: -40°C to 70°C (-40°F to 158°F)
- Wide voltage range of ±25%
- More effective heat dissipation system
- IP67





SPECIFICATIONS | ASK-180B-IR

CAMERA					
Sensor	1/1.8" progressive scan, 2.0 megapixel, CMOS				
Lens	4x4.2mm lens				
DORI Distance	LENS (mm)	DETECT (mtrs)	OBSERVE (mtrs)	RECOGNIZE (m)	IDENTIFY (m)
	4.2mm	50.4 (165.4ft)	20.2(66.3ft)	10.1(33.1ft)	5.0(16.4ft)
Angle of View(H)	180°				
Angle of View (V)	80°				
Angle of View (O)	221.4°				
Adjustment angle	Pan: -90°~90°	Tilt: -45°~60°			
Shutter	Auto/Manual, shutter time: 1 s ~ 1/100000 s				
Minimum Illumination	Colour: 0.002lux (F1.8,AGC ON) 0lux with IR				
Iris	F1.8				
Day/Night	IR-cut filter with auto switch (ICR)				
S/N	>55 dB				
IR Range	UP to 50m (164ft)				
Defog	Digital Defog				
WDR	120dB				
VIDEO					
Video Compression	Ultra 265, H.265, H.264, MJPEG				
Frame Rate	Main Stream: 4096x1800:Max. 30 fps; Sub Stream: 1920x832:Max. 30 fps; Third Stream: 1280x560: Max. 30 fps				
HLC	Supported				
BLC	Supported				
OSD	Up to 8 OSDs				
Privacy Mask	Up to 8 areas				
ROI	Up to 8 areas				
AUDIO					
Audio Compression	G.711				
Two-way Audio	Supported				
Suppression	Supported				
Sampling Rate	8 KHZ				
SMART					
General Function	Watermark, IP Address Filtering, Tampering Alarm, Alarm input, Alarm output, Access Policy, ARP Protection, RTSP Authentication, User Authentication				
NETWORK					
Protocols	IPv4, IGMP, ICMP, ARP, TCP, UDP, DHCP, PPPoE, RTP, RTSP, RTCP, DNS, DDNS, NTP, FTP, UPnP, HTTP, HTTPS, SMTP, 802.1x, SNMP,QoS				
Compatible Integration	ONVIF (Profile S, Profile G, Profile T), API				
STORAGE					
Edge Storage	Micro SD, up to 256 GB				
Network Storage	ANR				



INTERFACE

Audio I/O	1 Input: impedance 35 k Ω ; amplitude 2 V *p-p]
	1 Output: impedance 600 Ω ; amplitude 2 V [p-p]
Alarm I/O	2 / 1
Network	1*100M/1000M Base-FX SFP + 2*10M/100M/1000M Base-TX Ethernet

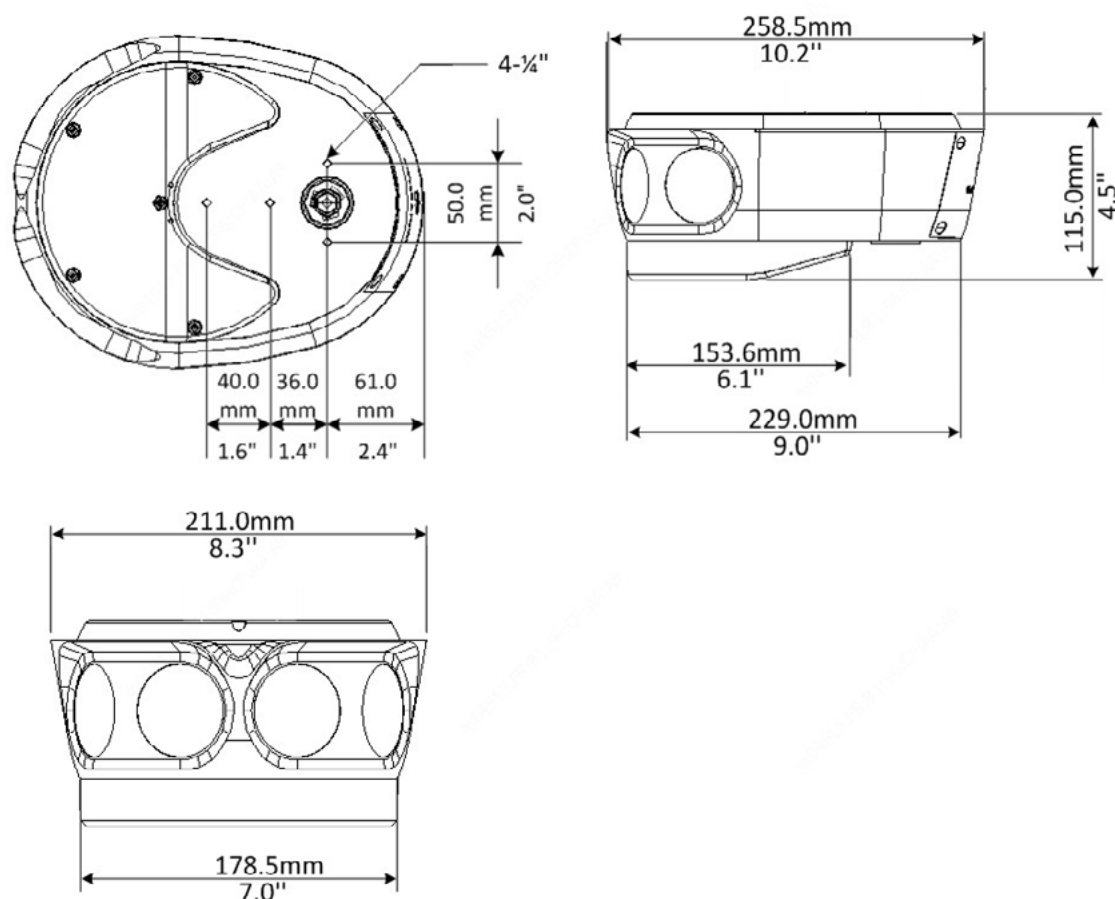


GENERAL

Power	AC24V \pm 25%/DC24V support 18V-48V Power consumption: 45W MAX
DIMENSIONS (\varnothing X H)	259mmx211mmx115mm \varnothing (10.2"x8.3"x4.5") \varnothing
Weight	2.4kg(5.3lb)
Working Environment	-40°C ~ +70°C (-40°F ~ 158°F), Humidity:10%~95% RH(non-condensing)
Ingress Protection	IP67
Reset Button	Supported



DIMENSIONS



AEROSKOP

AEROSKOP SP Z.O.O

Leja Jana Pawala II 22

sales@aeroskop.com

+48 222083218

www.aeroskop.com

ONVIF®