



DATA SHEET

3MP 33X ZOOM -
IR Network PTZ Dome Camera

ASK-30SD-IR



KEY FEATURES



OPTICS

- 33x optical zoom
- Accurate and fast focusing
- Up to 120dB WDR (Wide Dynamic Range)
- Smart IR, up to 200m (656ft) IR distance
- IR anti-reflection window to increase the infrared transmittance







COMPRESSION

- H.265, H.264, MJPEG
- Triple streams
- Customized OSD
- 15° Elevation Angle
- Innovative snow-removing functionality
- More effective heat dissipation system
- Intelligent temperature control technology
- 6KV surge protection designed for network interface





 CAMERA					
Sensor	1/2.8" 3.0 Megapixel , Progressive scan , CMOS				
Lens	4.5 ~ 148.5mm, AF automatic focusing and motorized zoom lens				
Digital Zoom	16				
Optical Zoom	33				
DORI Distance	LENS (mm)	DETECT (mtrs)	OBSERVE (mtrs)	RECOGNIZE (m)	IDENTIFY (m)
	4.5mm	631	25.2	12.6	6.3
	148.5	2081.8	832.7	416.4	208.2
Angle of View(H)	58.7° ~ 2.9°				
Angle of View (V)	57.4° ~ 1.9°				
Angle of View (O)	72.2° ~ 3.4°				
Shutter	Auto/Manual; shutter time: 1 ~ 1/100000s				
Minimum Illumination	Colour:0.03lux (F1.6, AGC ON) 0 lux with IR				
Iris	Auto/Manual; F1.6 ~ F5.3				
Day/Night	IR-cut filter with auto switch (ICR)				
Digital noise reduction	2D/3D DNR				
S/N	>55dB				
IR Range	UP to 200m (656ft)				
Defog	Digital Defog				
WDR	120dB				
 VIDEO					
Video Compression	Ultra 265, H.265, H.264, MJPEG				
H.264 code profile	Baseline profile, Main Profile, High Profile				
Frame Rate	Main Stream: 3MP (2048*1536), Max 30fps; 1080P (1920*1080), Max 60fps; Sub Stream: 2MP (1920*1080), Max 60fps; Third Stream: D1 (720*576), Max 60fps				
HLC	Supported				
BLC	Supported				
EIS	Supported				
OSD	Up to 8 OSDs				
Privacy Mask	Up to 24 areas				
ROI	Up to 8 areas				
Motion Detection	Up to 4 areas				
 AUDIO					
Audio Compression	G.711				
Voice Intercom	Supported				
Suppression	Supported				
Sampling Rate	8 KHZ				
 SMART					
General Function	Watermark, IP Address Filtering, Tampering Alarm, Alarm input, Alarm output, Access Policy, ARP Protection, RTSP Authentication, User Authentication				



NETWORK

Protocols	IPv4, IGMP, ICMP, ARP, TCP, UDP, DHCP, PPPoE, RTP, RTSP, RTCP, DNS, DDNS, NTP, FTP, UPnP, HTTP, HTTPS, SMTP, 802.1x, SNMP, QoS
Compatible Integration	ONVIF (Profile S, Profile G, Profile T), API



PAN & TILT

Pan Speed	0.1°/s ~ 240°/s
	Preset speed: 300°/s
Pan Range	360° (endless)
Tilt Speed	0.1° ~ 160°/s
	Preset speed: 240°/s
Tilt Range	-15° ~ 90° (auto reverse)
Number of Presets	1024
Patrol	Preset patrol, route patrol, recorded patrol
Home Position	Supported



STORAGE

Edge Storage	Micro SD, up to 256GB
Network Storage	ANR



INTERFACE

Audio I/O	Audio cable
	1 Input: Impedance 35KΩ ;amplitude 2V [p-p]
	1 output: Impedance 600Ω ;amplitude 2V [p-p]
Alarm I/O	2 / 1
Serial Port	1 RS485
Network	1 RJ45 . 10M/100M base – TX Ethernet
Video Output	1 BNC, impedance 75Ω; amplitude 1V [p-p]

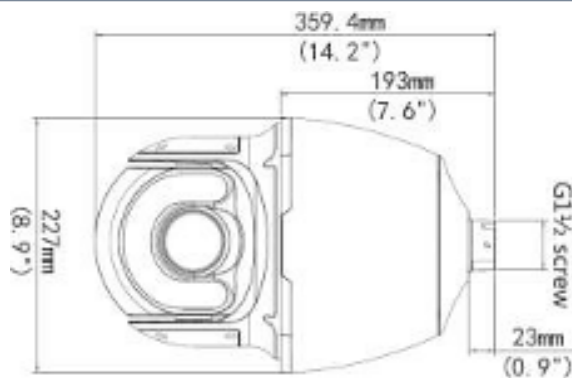


GENERAL

Power	AC 24V (Default)±25%, DC 24V±25%
	Power consumption: 11 ~ 47W
DIMENSIONS (Ø X H)	Ø227 x 359.4mm (Ø8.9" x 14.2")
Weight	5.5kg (12.1lb)
Working Environment	-40°C ~ 70°C (-40°F ~ 158°F), Humidity: ≤95% RH (non-condensing)
Ingress Protection	IP66
Reset Button	Supported



DIMENSIONS



AEROSKOP

AEROSKOP SP Z.O.O

Leja Jana Pawala II 22
 sales@aeroskop.com

+48 222083218
 www.aeroskop.com

