



AEROSKOP

DATA SHEET

4MP day/Night
Dome Camera

ASK-4000D-VF-IR



KEY FEATURES



- 1/1.8" 4MP CMOS
- 30 FPS AT FULL RESOLUTION
- AUTO DAY/NIGHT
- MOTORISED VARIFOCAL LENS
- SMART IR, UPTO 30 MTRS IR DISTANCE
- H.265, H.264 , MJPEG COMPRESSION
- 9:16 CORRIDOR MODE
- EDGE STORAGE SUPPORT
- 3 VIDEO STREAMS
- IP 67, IK10
- POE SUPPORT
- ONVIF COMPLAINT
- 5 YEARS WARRANTY



ONVIF®



SPECIFICATIONS | ASK-4000D-VF-IR

CAMERA					
Sensor	1/8" 4.0 Megapixel , Progressive scan , CMOS				
Lens	2.8~12mm, AF automatic focusing and motorized zoom lens				
DORI Distance	LENS (mm)	DETECT (mtrs)	OBSERVE (mtrs)	RECOGNIZE (m)	IDENTIFY (m)
	2.8mm	42	16.8	8.4	4.2
	12mm	180	72	36	18
Angle of View(H)	35.6° ~107.9°				
Angle of View (V)	20.4° ~75.4°				
Angle of View (O)	43.8° ~140.3°				
Adjustment angle	Pan 0° ~355°		Tilt 0° ~68°	Rotate 0° ~355°	
Shutter	Auto/Manual, 1~1/100000 s				
Minimum Illumination	Colour:0.02lux (F1.2, AGC ON) 0 lux with IR				
Day/Night	IR-cut filter with auto switch (ICR)				
IR On/Off Control	Auto/Manual				
IR Range	Up to 30m (98 ft) IR range				
Defog	Digital Defog				
WDR	120dB				
VIDEO					
Video Compression	Ultra 265, H.265, H.264, MJPEG				
H.264 code profile	Baseline profile, Main Profile, High Profile				
Frame Rate	4MP(2688*1520),Max 30fps				
Video Bit Rate	128 Kbps~16 Mbps				
9:16 Corridor Mode	Supported				
OSD	Up to 8 OSDs				
Privacy Mask	Supported				
ROI	Supported				
Motion Detection	Supported				
AUDIO					
Audio Compression	G.711				
Voice Intercom	Supported (two way audio with voice intercom)				
Suppression	Supported				
Sampling Rate	8 KHZ				
INTERNAL STORAGE					
Edge Storage	Micro SD, up to 256 GB				
NETWORK					
Protocols	IPv4, IGMP, ICMP, ARP, TCP, UDP, DHCP, PPPoE, RTP, RTSP, RTCP, DNS, DDNS, NTP, FTP, UPnP, HTTP, HTTPS, SMTP, 802.1x, SNMP, QoS				
Compatible Integration	ONVIF (Profile S , Profile G , Profile T) IMOS				



INTERFACE

Audio Out	Audio cable
	1 / 1
Alarm I/O	1/ 1
Network	1XRJ45 10M/100M BASE TX ETHERNET



CERTIFICATION

Certifications	CE: EN 60950-1 UL: UL60950-1 FCC: FCC Part 15
----------------	---

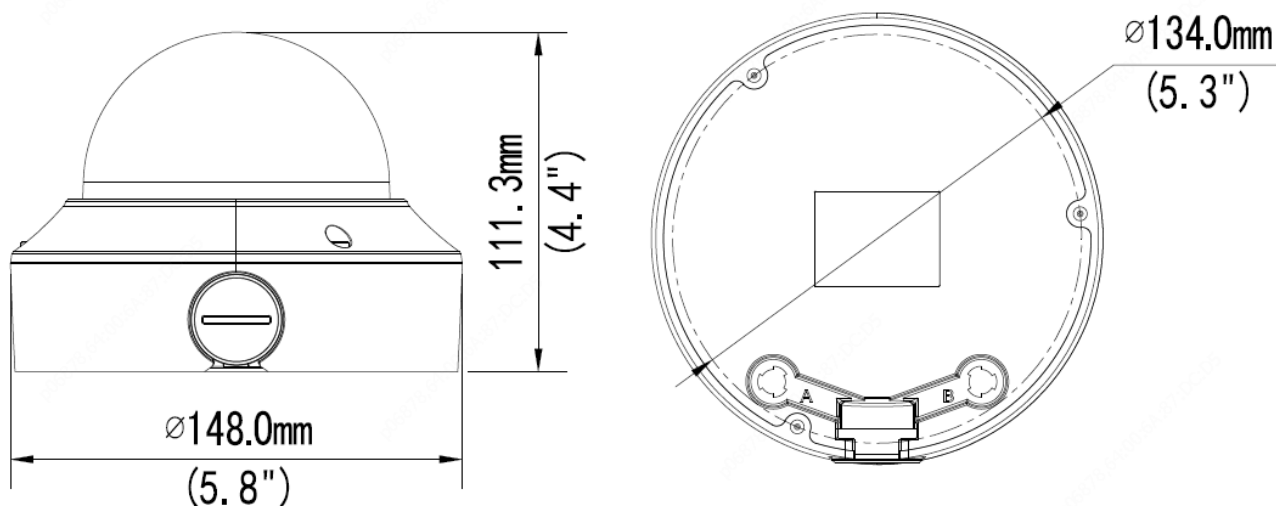


GENERAL

Power	AC24V±25%, DC12V(±25%), PoE(IEEE 802.3af)
Power Consumption	4.5W ~10W
Dimensions	148mm x111.3mm(5.8"x4.4")
Weight	0.92kg (2.0 lb)
Material	Shield: PC, Bottom plate: metal
Working Environment	-30C~60C(-22°F ~ 140°F), ≤95%RH
Storage Environment	-40°C ~ 60°C (-40°F ~ 140°F), Humidity: ≤95% RH (non-condensing)
Surge protection	6KV
Reset Button	Supported
IR Distance	30 mtrs (98 ft)
Vandal Resistant	IK10
Ingress Protection	IP67



DIMENSIONS



AEROSKOP SP Z.O.O

Leja Jana Pawala II 22

sales@aeroskop.com

+48 222083218

www.aeroskop.com

